

# Engine powered forklift 2.0 - 3.5 ton

TOYOTA  
**TONERO<sup>HST</sup>**



# Engine powered forklift 2.0 - 2.5 ton

Truck specifications				06-8FG20F	06-8FD20F	06-8FG25F	06-8FD25F	
Identification	1.1	Manufacturer		TOYOTA	TOYOTA	TOYOTA	TOYOTA	
	1.2	Model		06-8FG20F	06-8FD20F	06-8FG25F	06-8FD25F	
	1.3	Drive		LPG	Diesel	LPG	Diesel	
	1.4	Operator type		driver seated	driver seated	driver seated	driver seated	
	1.5	Load capacity/rated load	Q	kg	2000	2000	2500	2500
	1.6	Load centre	c	mm	500	500	500	500
	1.8	Load distance, centre of drive axle to fork	x	mm	470	470	470	470
	1.9	Wheelbase	y	mm	1650	1650	1650	1650
	Weight	2.1	Service weight		kg	3250	3290	3560
2.2		Axle load, with load, front/rear		kg	4580/670	4600/690	5280/780	5300/830
2.3		Axle load, without load, front/rear		kg	1410/1840	1430/1860	1300/2260	1320/2280
Tyres	3.1	Tyre - pneumatic (P), pneumatic shaped cushion (SE), solid rubber (R)			SE-PN	SE-PN	SE-PN	SE-PN
	3.2	Tyre size, front			7.00-12	7.00-12	7.00-12	7.00-12
	3.3	Tyre size, rear			6.00-9	6.00-9	6.00-9	6.00-9
	3.5	Wheels, number front/rear (x=driven wheels)			2x-4x/ 2	2x-4x/ 2	2x-4x/ 2	2x-4x/ 2
	3.6	Track width, front	b <sub>10</sub>	mm	960 / 1190	960 / 1190	960 / 1190	960 / 1190
	3.7	Track width, rear	b <sub>11</sub>	mm	965	965	965	965
	Dimensions	4.1	Tilt of mast/fork carriage forward/backward	$\alpha/\beta$	deg	6/11	6/11	6/11
4.2		Height, mast lowered	h <sub>1</sub>	mm	1995	1995	1995	1995
4.3		Free lift	h <sub>2</sub>	mm	150	150	150	150
4.4		Lift	h <sub>3</sub>	mm	2690	2960	2960	2960
		Lift height	h <sub>23</sub>	mm	3000	3000	3000	3000
4.5		Height, mast extended	h <sub>4</sub>	mm	4250	4250	4250	4250
4.7		Height of overhead guard (cab)	h <sub>6</sub>	mm	2110	2110	2110	2110
4.8		Seat height	h <sub>7</sub>	mm	1050	1050	1050	1050
4.12		Coupling height	h <sub>10</sub>	mm	315	315	315	315
4.19		Overall length	l <sub>1</sub>	mm	3575	3575	3640	3640
4.20		Length to face of forks	l <sub>2</sub>	mm	2575	2575	2640	2640
4.21		Overall width	b <sub>1</sub>	mm	1150	1150	1150	1150
4.22		Fork dimensions	s/e/l	mm	40/100/1000	40/100/1000	40/100/1000	40/100/1000
4.23		Fork carriage DIN 15 173, class/type A, B			II A	II A	II A	II A
4.24		Fork-carriage width	b <sub>3</sub>	mm	1020	1020	1020	1020
4.31		Ground clearance, with load, below mast	m <sub>1</sub>	mm	90	90	90	90
4.32		Ground clearance, centre of wheelbase	m <sub>2</sub>	mm	135	135	135	135
4.33		Aisle width for pallets 1000 x 1200 crossways	A <sub>st</sub>	mm	3870	3870	3950	3950
4.34		Aisle width for pallets 800 x 1200 lengthways	A <sub>st</sub>	mm	4070	4070	4150	4150
4.35		Turning radius	W <sub>a</sub>	mm	2200	2200	2280	2280
4.36		Internal turning radius	b <sub>13</sub>	mm	745	745	745	745
Performance data	5.1	Travel speed, with/without load		km/h	19/19	19/19	19/19	19/19
	5.2	Lift speed, with/without load		m/s	0,60/0,64	0,56/0,60	0,60/0,64	0,56/0,60
	5.3	Lowering speed, with/without load		m/s	< 0,50	< 0,50	< 0,50	< 0,50
	5.6	Max. drawbar pull, with/without load		N	17500/7800	17500/7800	17500/9000	17500/9100
	5.7	Gradeability, with load <sup>1)2)</sup>		%	24	24	20	20
	5.8	Max. gradeability, with/without load <sup>2)</sup>		%	32/20	32/20	27/22	27/22
	5.10	Service brake			Hydraulic	Hydraulic	Hydraulic	Hydraulic
Combustion engine	7.1	Engine manufacturer/type			Toyota 4Y ECS	Toyota 1DZ-III	Toyota 4Y	Toyota 1DZ-III
	7.2	Engine power acc. to ISO 1585		kW	38	36	38	36
	7.3	Rated speed		1/min	2570	2500	2570	2500
	7.4	No. of cylinders/displacement		cm <sup>3</sup>	4/2237	4/2486	4/2237	4/2486
	7.5a	Fuel consumption according to VDI 60		kg/h	3,0	—	3,4	—
	7.5b	Fuel consumption according to VDI 60		l/h	—	3,2	—	3,6
Others	8.2	Operating pressure for attachments		bar	147	147	147	147
	8.3	Oil volume for attachments		l/min	65-71	65-77	65-71	65-77
	8.4	Sound level at the driver's ear according to EN 12 053		dB(A)	—	—	—	—

<sup>1)</sup> At 1,5 km/h.

<sup>2)</sup> Computed values.

Performance data and dimensions are nominal and subject to tolerances.

Specifications are subject to change without notice.

Please obtain the latest specifications before contracting products.

# Master dimensions and rated capacities

Model			V							FV					FSV						
06-8FG/D20F	Lift height	$h_{23}$	3000	3300	3500	3700	4000	4500	5000	5500	3000	3300	3500	3700	4000	4300	4700	5000	5500	6000	6500
	Lift	$h_3$	2960	3260	3460	3660	3960	4460	4960	5460	2960	3260	3460	3660	3960	4260	4660	4960	5460	5960	6460
	Height, mast lowered	$h_1$	1995	2145	2245	2405	2595	2845	3095	3345	1995	2145	2245	2405	2595	1995	2145	2245	2405	2595	2845
	Height, mast extended <sup>1)</sup>	$h_4$	3700	4000	4200	4400	4700	5200	5700	6200	3625	3925	4125	4325	4625	4900	5300	5600	6100	6600	7100
	Height, mast extended <sup>2)</sup>	$h_4$	4250	4550	4750	4950	5250	5750	6250	6750	4240	4540	4740	4940	5240	5540	5940	6240	6740	7240	7740
	Free lift, without load backrest	$h_2$	150	150	150	150	150	150	150	150	1400 [1220]	1550 [1370]	1650 [1470]	1810 [1630]	2000 [1820]	1425	1575	1675	1835	2025	2275
	Free lift, with load backrest	$h_2$	150	150	150	150	150	150	150	150	785	935	1035	1195	1385	785	935	1035	1195	1385	1635
06-8FG/D25F	Lift height	$h_{23}$	3000	3300	3500	3700	4000	4500	5000	5500	3000	3300	3500	3700	4000	4300	4700	5000	5500	6000	6500
	Lift	$h_3$	2960	3260	3460	3660	3960	4460	4960	5460	2960	3260	3460	3660	3960	4260	4660	4960	5460	5960	6460
	Height, mast lowered	$h_1$	1995	2145	2245	2405	2595	2845	3095	3345	1995	2145	2245	2405	2595	1995	2145	2245	2405	2595	2845
	Height, mast extended <sup>1)</sup>	$h_4$	3700	4000	4200	4400	4700	5200	5700	6200	3625	3925	4125	4325	4625	4900	5300	5600	6100	6600	7100
	Height, mast extended <sup>2)</sup>	$h_4$	4250	4550	4750	4950	5250	5750	6250	6750	4240	4540	4740	4940	5240	5540	5940	6240	6740	7240	7740
	Free lift, without load backrest	$h_2$	150	150	150	150	150	150	150	150	1400 [1220]	1550 [1370]	1650 [1470]	1810 [1630]	2000 [1820]	1425	1575	1675	1835	2025	2275
	Free lift, with load backrest	$h_2$	150	150	150	150	150	150	150	150	785	935	1035	1195	1385	785	935	1035	1195	1385	1635

1) Without load backrest.

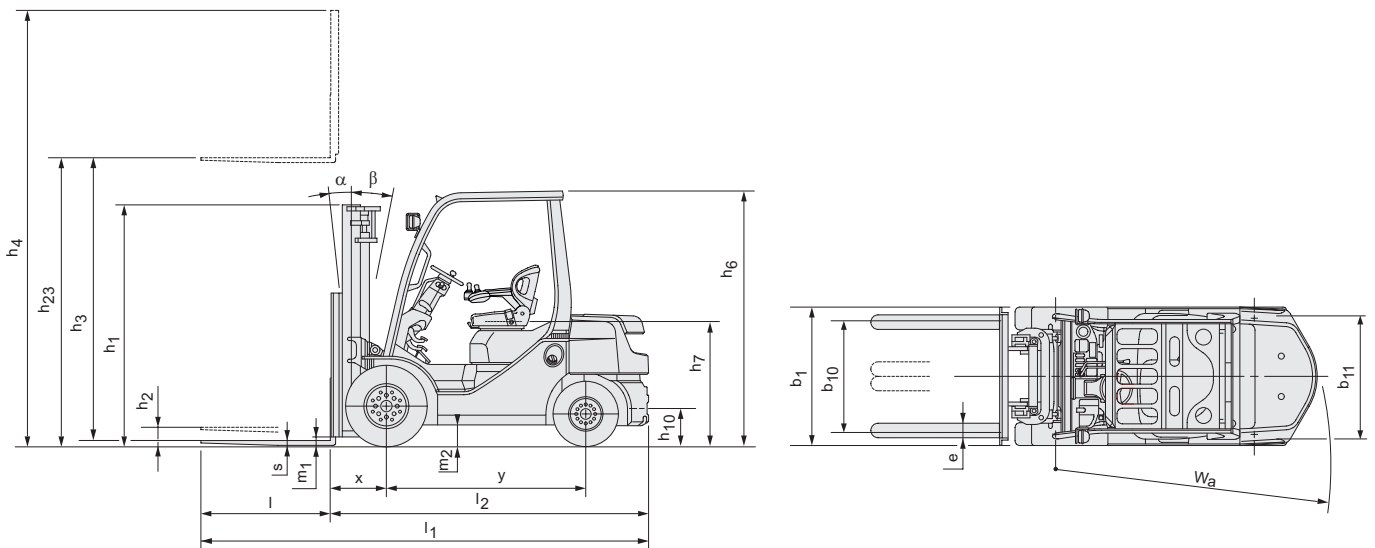
2) With load backrest; Height of standard load backrest is 1220 mm.

Data in [ ] are for when "A4 piping" is selected.

Single tyre			V							FV					FSV						
06-8FG/D20F	Tilt range, forward	deg	6	6	6	6	6	6	6	—	6	6	6	6	6	6	6	6	6	6	6
	Tilt range, backward	deg	11(6)	11(6)	11(6)	11(6)	11(6)	6	6	—	11(6)	11(6)	11(6)	11(6)	11(6)	6	6	6	6	6	6
	Load capacity, P tyres at 500 mm LC	kg	2000	2000	2000	2000	2000	1950	1850	—	2000	2000	2000	2000	2000	1900	1850	1450	1200	850	650
	Load capacity, SE tyres at 500 mm LC	kg	2000	2000	2000	2000	2000	1950	1900	—	2000	2000	2000	2000	2000	1900	1850	1600	1350	1000	750
06-8FG/D25F	Tilt range, forward	deg	6	6	6	6	6	6	6	—	6	6	6	6	6	6	6	6	6	6	6
	Tilt range, backward	deg	11(6)	11(6)	11(6)	11(6)	9	6	6	—	11(6)	11(6)	11(6)	11(6)	9	6	6	6	6	6	6
	Load capacity, P tyres at 500 mm LC	kg	2500	2500	2500	2500	2500	2150	1700	—	2500	2500	2500	2500	2500	2300	2000	1500	1250	900	650
	Load capacity, SE tyres at 500 mm LC	kg	2500	2500	2500	2500	2500	2300	1850	—	2500	2500	2500	2500	2500	2300	2000	1650	1400	1050	750

Dual tyre			V							FV					FSV						
06-8FG/D20F	Tilt range, forward	deg	6	6	6	6	6	6	6	6	6	6	6	6	6	6	6	6	6	6	6
	Tilt range, backward	deg	11(6)	11(6)	11(6)	11(6)	11(6)	11(6)	6	6	11(6)	11(6)	11(6)	11(6)	11(6)	6	6	6	6	6	6
	Load capacity, P/SE tyres 500 mm LC	kg	2000	2000	2000	2000	2000	1950	1900	1800	2000	2000	2000	2000	2000	1950	1900	1850	1800	1600	1550
06-8FG/D25F	Tilt range, forward	deg	6	6	6	6	6	6	6	6	6	6	6	6	6	6	6	6	6	6	6
	Tilt range, backward	deg	11(6)	11(6)	11(6)	11(6)	11(6)	11(6)	6	6	11(6)	11(6)	11(6)	11(6)	11(6)	6	6	6	6	6	6
	Load capacity, P/SE tyres at 500 mm LC	kg	2500	2500	2500	2500	2500	2450	2400	2300	2500	2500	2500	2500	2500	2500	2450	2400	2050	1700	1550

Data in ( ) are for when "Cabin Series" is selected (minimum front windshield).



# Engine powered forklift 3.0 - 3.5 ton

Truck specifications					06-8FG30F	06-8FD30F	06-8FGJ35F	06-8FDJ35F
Identification	1.1	Manufacturer			TOYOTA	TOYOTA	TOYOTA	TOYOTA
	1.2	Model			06-8FG30F	06-8FD30F	06-8FGJ35F	06-8FDJ35F
	1.3	Drive			LPG	Diesel	LPG	Diesel
	1.4	Operator type			driver seated	driver seated	driver seated	driver seated
	1.5	Load capacity/rated load	Q	kg	3000	3000	3500	3500
	1.6	Load centre	c	mm	500	500	500	500
	1.8	Load distance, centre of drive axle to fork	x	mm	485	485	495	495
	1.9	Wheelbase	y	mm	1700	1700	1700	1700
	Weight	2.1	Service weight		kg	4210	4250	4820
2.2		Axle load, with load, front/rear		kg	6230/980	6260/990	7250/1070	7260/1100
2.3		Axle load, without load, front/rear		kg	1490/2720	1530/2720	1690/3130	1710/3150
Tyres	3.1	Tyre - pneumatic (P), pneumatic shaped cushion (SE), solid rubber (R)			SE-PN	SE-PN	SE-PN	SE-PN
	3.2	Tyre size, front			28x9-15/28x8-15	28x9-15/28x8-15	250-15/28x8-15	250-15/28x8-15
	3.3	Tyre size, rear			6.50-10	6.50-10	6.50-10	6.00-9
	3.5	Wheels, number front/rear (x=driven wheels)			2x-4x/2	2x-4x/2	2x-4x/2	2x-4x/2
	3.6	Track width, front	b <sub>10</sub>	mm	1010/1240	1010/1240	1060/1290	1060/1290
	3.7	Track width, rear	b <sub>11</sub>	mm	965	965	965	965
	Dimensions	4.1	Tilt of mast/fork carriage forward/backward	$\alpha/\beta$	deg	6/11	6/11	6/11
4.2		Height, mast lowered	h <sub>1</sub>	mm	2010	2010	2115	2115
4.3		Free lift	h <sub>2</sub>	mm	135	135	135	135
4.4		Lift	h <sub>3</sub>	mm	2955	2955	2955	2955
		Lift height	h <sub>23</sub>	mm	3000	3000	3000	3000
4.5		Height, mast extended	h <sub>4</sub>	mm	4260	4260	4260	4260
4.7		Height of overhead guard (cab)	h <sub>6</sub>	mm	2170	2170	2180	2180
4.8		Seat height	h <sub>7</sub>	mm	1110	1110	1120	1120
4.12		Coupling height	h <sub>10</sub>	mm	335	335	335	335
4.19		Overall length	l <sub>1</sub>	mm	3780	3780	3850	3850
4.20		Length to face of forks	l <sub>2</sub>	mm	2780	2780	2850	2850
4.21		Overall width	b <sub>1</sub>	mm	1240	1240	1290	1290
4.22		Fork dimensions	s/e/l	mm	45/100/1000	45/100/1000	40/125/1200	40/125/1200
4.23		Fork carriage DIN 15 173, class/type A, B			IIIA	IIIA	IIIA	IIIA
4.24		Fork-carriage width	b <sub>3</sub>	mm	1070	1070	1070	1070
4.31		Ground clearance, with load, below mast	m <sub>1</sub>	mm	110	110	130	130
4.32		Ground clearance, centre of wheelbase	m <sub>2</sub>	mm	180	180	190	190
4.33		Aisle width for pallets 1000 x 1200 crossways	A <sub>st</sub>	mm	4115	4115	4185	4185
4.34		Aisle width for pallets 800 x 1200 lengthways	A <sub>st</sub>	mm	4315	4315	4385	4385
4.35		Turning radius	W <sub>a</sub>	mm	2430	2430	2490	2490
4.36		Internal turning radius	b <sub>13</sub>	mm	720	720	745	745
Performance data	5.1	Travel speed, with/without load		km/h	19/19	19/19	20/20	20/20
	5.2	Lift speed, with/without load		m/s	0,51/0,55	0,44/0,47	0,43/0,45	0,37/0,40
	5.3	Lowering speed, with/without load		m/s	<0,50	<0,50	<0,50	<0,50
	5.6	Max. drawbar pull, with/without load		N	17000/10300	17000/10400	16500/10500	16500/10600
	5.7	Gradeability, with load <sup>1)2)</sup>		%	21/20	21/20	17/17	17/17
	5.8	Max. gradeability, with/without load <sup>2)</sup>		%	32/20	32/20	27/22	27/22
	5.10	Service brake			Hydraulic	Hydraulic	Hydraulic	Hydraulic
Combustion engine	7.1	Engine manufacturer/type			Toyota 4Y ECS	Toyota 1DZ-III	Toyota 4Y ECS	Toyota 1DZ-III
	7.2	Engine power acc. to ISO 1585		kW	44	36	44	36
	7.3	Rated speed		1/min	2570	2500	2570	2500
	7.4	No. of cylinders/displacement		cm <sup>3</sup>	4/2237	4/2486	4/2237	4/2486
	7.5a	Fuel consumption according to VDI 60		kg/h	3,7	—	4,0	—
	7.5b	Fuel consumption according to VDI 60		l/h	—	4,1	—	4,6
Others	8.2	Operating pressure for attachments		bar	147	147	147	147
	8.3	Oil volume for attachments		l/min	65-74	65-75	65-74	65-80
	8.4	Sound level at the driver's ear according to EN 12 053		dB(A)	—	—	—	—

<sup>1)</sup> At 1,5 km/h.

<sup>2)</sup> Computed values.

Performance data and dimensions are nominal and subject to tolerances.

Specifications are subject to change without notice.

Please obtain the latest specifications before contracting products.

# Master dimensions and rated capacities

Model			V								FV					FSV					
06-8FG/D30F	Lift height	$h_{23}$	3000	3300	3500	3700	4000	4500	5000	5500	3000	3300	3500	3700	4000	4300	4700	5000	5500	6000	6500
	Lift	$h_3$	2955	3255	3455	3655	3955	4455	4955	5455	2955	3255	3455	3655	3955	4255	4655	4955	5455	5955	6455
	Height, mast lowered	$h_1$	2010	2160	2260	2420	2610	2860	3110	3360	2010	2160	2260	2420	2610	2160	2260	2420	2610	2860	3110
	Height, mast extended <sup>1)</sup>	$h_4$	3765	4065	4265	4465	4765	5265	5765	6265	3650	3950	4150	4350	4650	4950	5350	5650	6150	6650	7150
	Height, mast extended <sup>2)</sup>	$h_4$	4260	4560	4760	4960	5260	5760	6260	6760	4250	4550	4750	4950	5250	5550	5950	6250	6750	7250	7750
	Free lift, without load backrest	$h_2$	135	135	135	135	135	135	135	135	1400	1550	1650	1810	2000	1550	1650	1810	2000	2250	2500
	Free lift, with load backrest	$h_2$	135	135	135	135	135	135	135	135	800	950	1050	1210	1400	950	1050	1210	1400	1650	1900
06-8FG/DJ35F	Lift height	$h_{23}$	3000	3300	3500	3700	4000	4500	5000	5500	3000	3300	3500	3700	4000	4300	4700	5000	5500	6000	6500
	Lift	$h_3$	2955	3255	3455	3655	3955	4455	4955	5455	2955	3255	3455	3655	3955	4255	4655	4955	5455	5955	6455
	Height, mast lowered	$h_1$	2115	2295	2395	2495	2745	2995	3245	3545	2115	2295	2395	2495	2745	2230	2435	2625	2875	3125	3375
	Height, mast extended <sup>1)</sup>	$h_4$	3910	4210	4410	4610	4910	5410	5910	6410	3765	4065	4265	4465	4765	5065	5465	5765	6265	6765	7265
	Height, mast extended <sup>2)</sup>	$h_4$	4260	4560	4760	4960	5260	5760	6260	6760	4250	4550	4750	4950	5250	5550	5950	6250	6750	7250	7750
	Free lift, without load backrest	$h_2$	135	135	135	135	135	135	135	135	1390	1570	1670	1770	2020	1500	1710	1900	2150	2400	2650
	Free lift, with load backrest	$h_2$	135	135	135	135	135	135	135	135	905	1085	1185	1285	1535	1015	1225	1415	1665	1915	2165

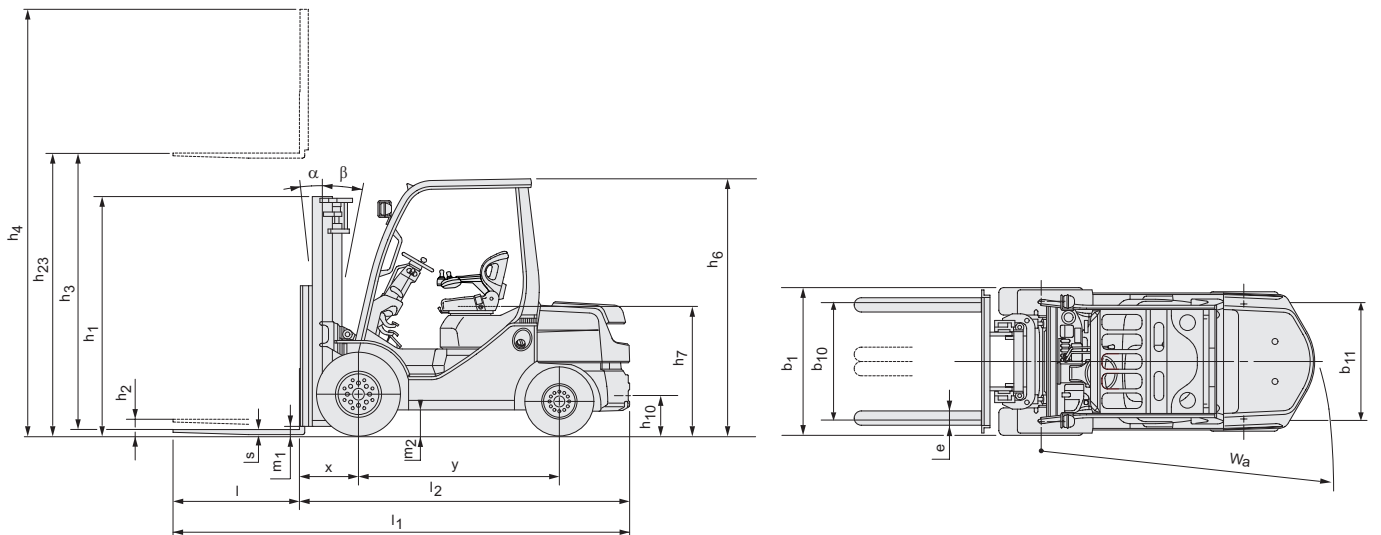
1) Without load backrest

2) With load backrest; Height of standard load backrest is 1220 mm.

Single tyre			V								FV					FSV					
06-8FG/D30F	Tilt range, forward	deg	6	6	6	6	6	6	6	—	6	6	6	6	6	6	6	6	6	6	—
	Tilt range, backward	deg	11	11	11	11	11	6	6	—	11	11	11	11	11	6	6	6	6	6	—
	Load capacity, P tyres at 500 mm LC	kg	3000	3000	3000	3000	3000	3000	2600	—	3000	3000	3000	3000	3000	3000	3000	2600	1900	1500	—
	Load capacity, SE tyres at 500 mm LC	kg	3000	3000	3000	3000	3000	3000	2750	—	3000	3000	3000	3000	3000	3000	3000	2750	2050	1650	—
06-8FG/DJ35F	Tilt range, forward	deg	6	6	6	6	6	6	6	—	6	6	6	6	6	6	6	6	6	6	—
	Tilt range, backward	deg	11	11	11	11	11	6	6	—	11	11	11	11	11	6	6	6	6	6	—
	Load capacity, P tyres at 500 mm LC	kg	3500	3500	3500	3500	3500	3500	3300	—	3500	3500	3500	3500	3500	3500	3400	3300	2700	2000	—
	Load capacity, SE tyres at 500 mm LC	kg	3500	3500	3500	3500	3500	3500	3400	—	3500	3500	3500	3500	3500	3500	3400	3300	2850	2150	—

Dual tyre			V								FV					FSV					
06-8FG/D30F	Tilt range, forward	deg	6	6	6	6	6	6	6	6	6	6	6	6	6	6	6	6	6	6	6
	Tilt range, backward	deg	11	11	11	11	11	11	6	6	11	11	11	11	11	6	6	6	6	6	6
	Load capacity, P tyres at 500 mm LC	kg	3000	3000	3000	3000	3000	3000	3000	2550	3000	3000	3000	3000	3000	3000	3000	2950	2650	2050	1600
06-8FG/DJ35F	Tilt range, forward	deg	6	6	6	6	6	6	6	6	6	6	6	6	6	6	6	6	6	6	6
	Tilt range, backward	deg	11	11	11	11	11	11	6	6	11	11	11	11	11	6	6	6	6	6	6
	Load capacity, P tyres at 500 mm LC	kg	3500	3500	3500	3500	3500	3500	3400	2950	3500	3500	3500	3500	3500	3500	3400	3300	3200	2400	1650

Data in ( ) are for when "Cabin Series" is selected (minimum front windshield).



## Standard equipments:

- Hydrostatic transmission
- Toyota SAS (System of Active Stability\*)
- Toyota OPS (Operator Presence Sensing)
- Toyota ORS seat (Operator Restraint System)
- Wide visible mast (MFH: 3000 mm)
- Load backrest (Height: 1220 mm)
- Long forks (Length: 1000 mm)
- Long forkbar [Length: 1020 mm (8FG/D20F.25F); 1070 mm (8FG/D30F,8FG/DJ35F)]
- 3-way valve (A400)
- Dual brake system
- Pneumatic shaped cushion tyres
- Full hydraulic power steering
- 7" cyclone air cleaner with snorkel air intake
- Anti-restart ignition key switch
- Headlights
- Rear combination lights
- Combination meter including self diagnostic system
- Adjustable tilt steering column
- Polycarbonate roof

\* = When dual tyres are selected, the Active Control Rear Stabilizer function of the SAS system of Active Stability (SAS) is not included.

